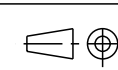
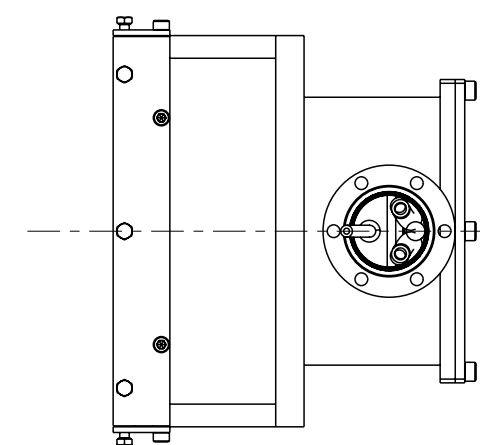
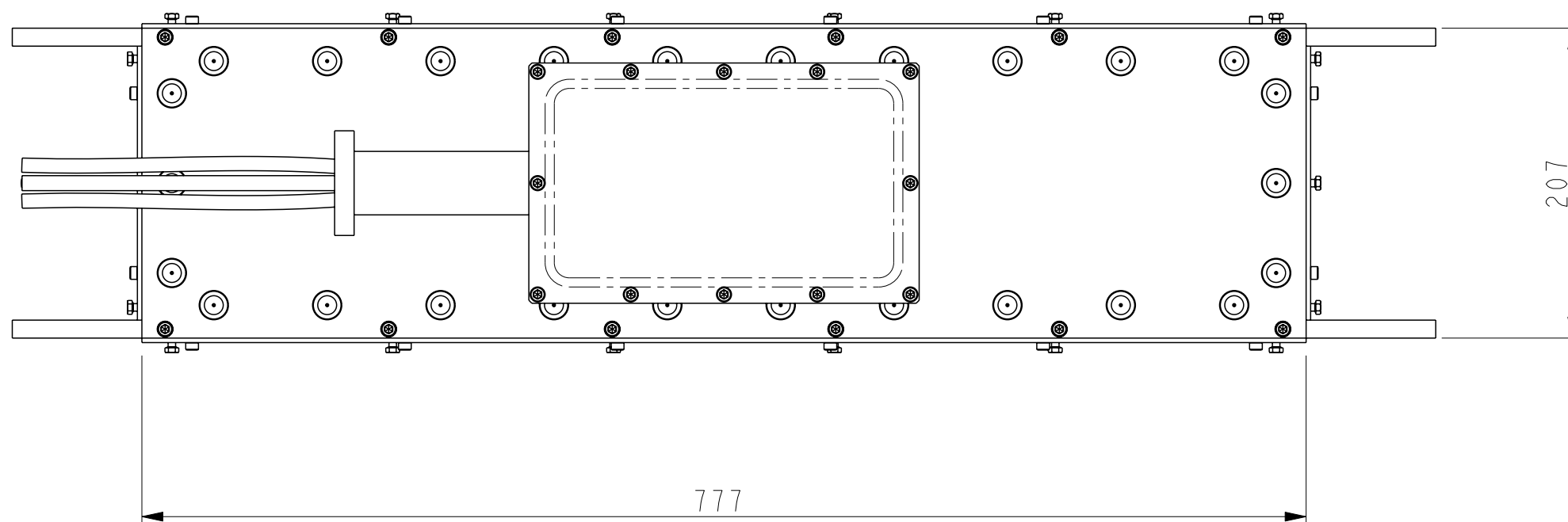
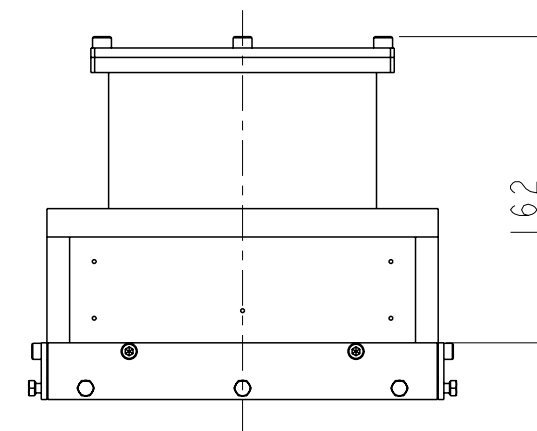
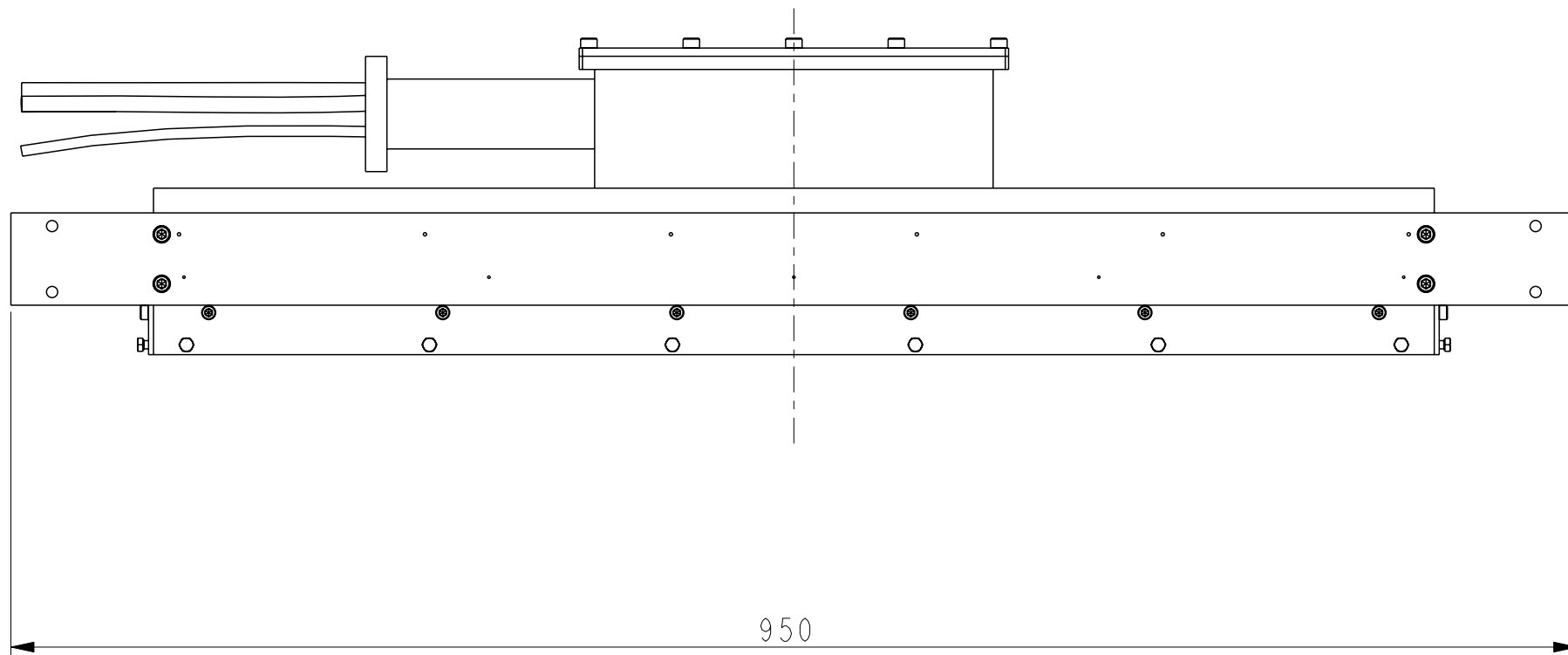


DRAWING NO.
00653-21-A01

FIRST ANGLE



CF40 FLANGE



F	BT	DRAWING UPDATED	04/04/05	
C	BT	SHIELDS CHANGED TO 3mm THICKNESS	21/02/05	
B	BT	UPDATED DRAWING	18/02/05	
A	BT	FOR ISSUE	10/02/05	
ISSUE	BY	MODIFICATION	DATE	GRID REF.

SURFACE FINISH
UNLESS OTHERWISE STATED ∇ 3.2

COPYRIGHT: This drawing is copyright & the property of Gencoa Ltd. It must not be copied, used for manufacture or otherwise disclosed without prior written consent of the company.
©Gencoa Ltd 1995

GENCOA LTD

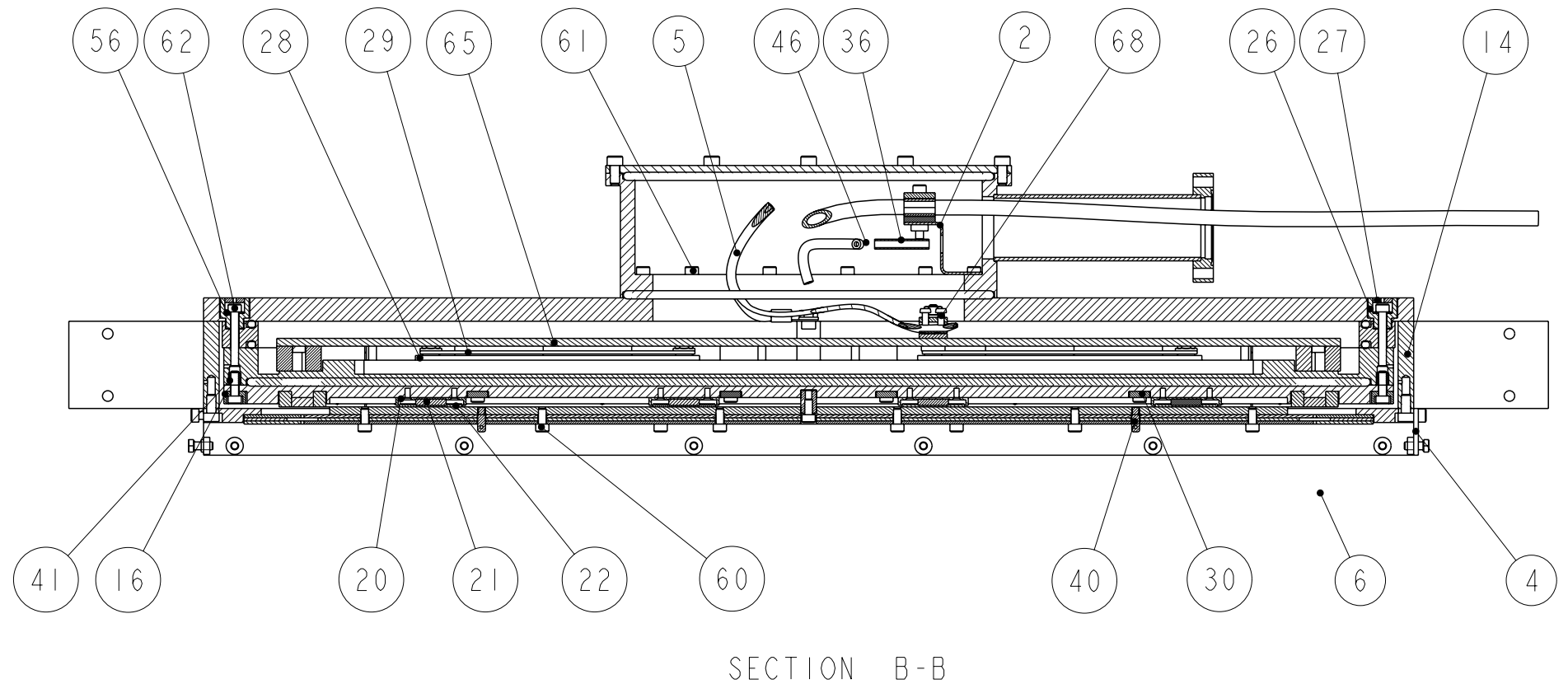
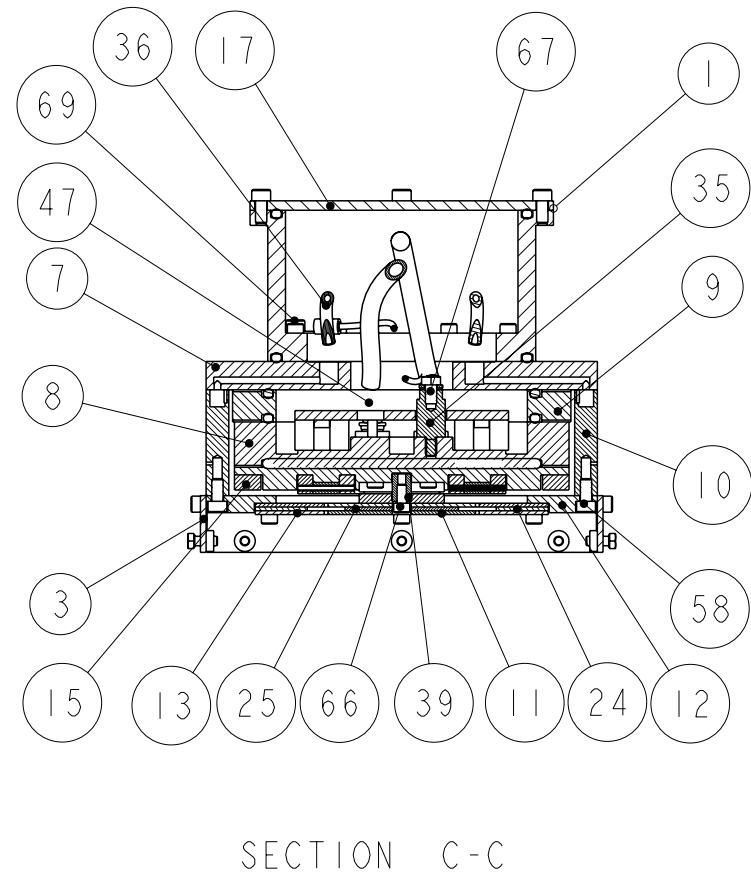
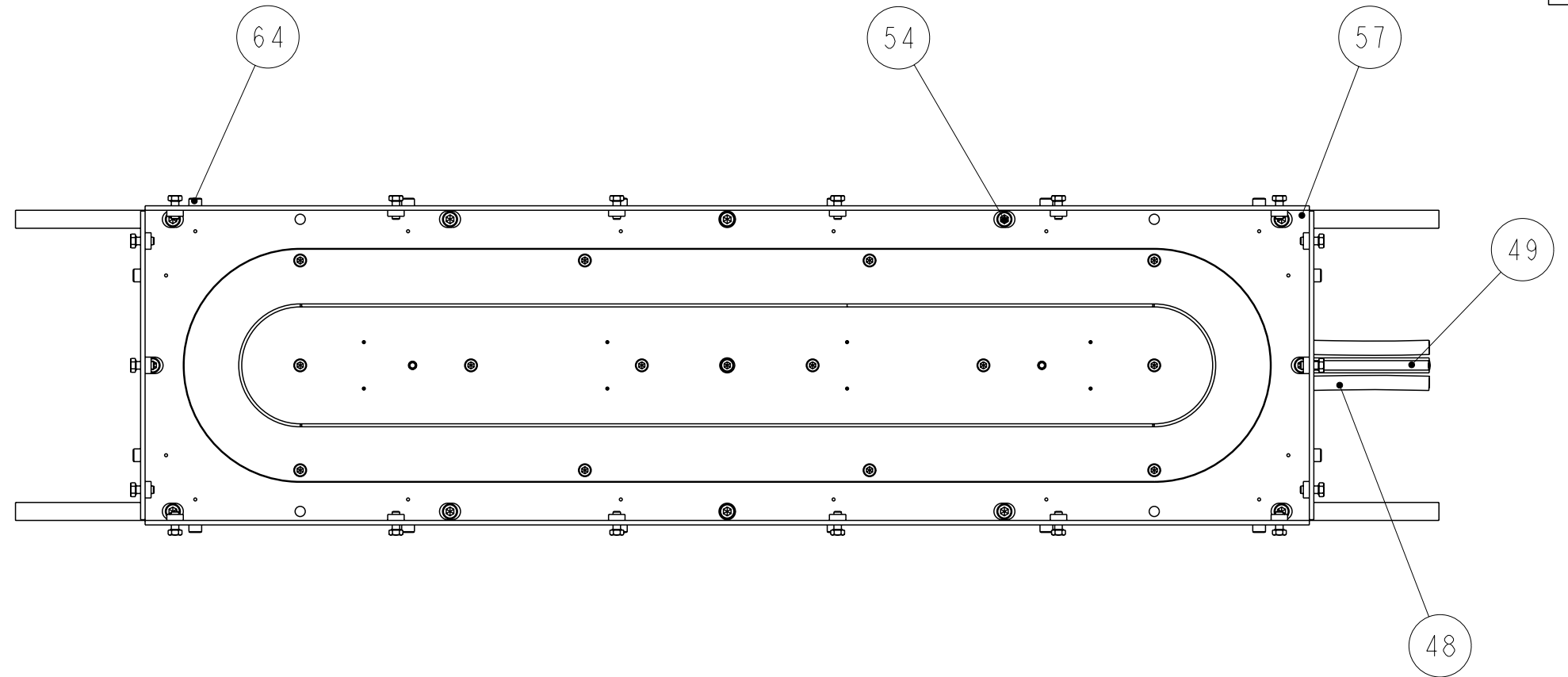
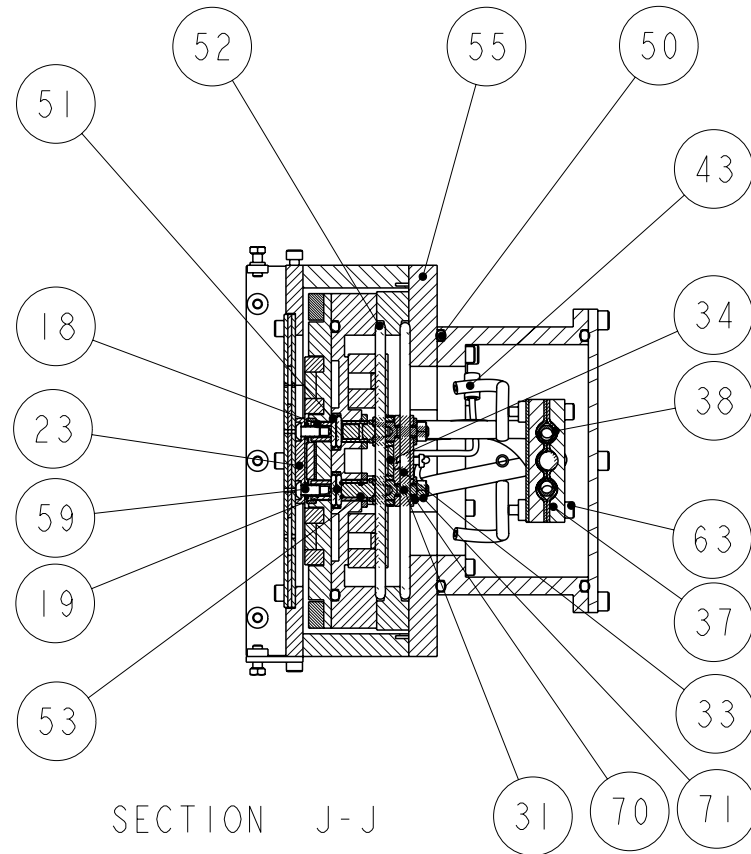
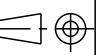
4 Wavertree Boulevard South
Wavertree Technology Park
Liverpool L7 9PF UK
Tel 0151 252 2200
Fax 0151 252 2233
www.gencoa.com

REFERENCE DRAWING	SCALE	A3	0,250
	DRAWN	BThornton	
CHECKED BY	DATE	09/02/05	
	MATERIAL	VARIOUS	
	FINISH		

TITLE	ION SOURCE		ISSUE	D
TOLERANCES EXCEPT WHERE STATED OTHERWISE	GENERAL	± 0.20 mm	DRAWING NO.	00653-21-A01
	ANGLES	± 0° 30'	Sheet	1 of 4

DRAWING NO.
00653-21-A01

FIRST ANGLE

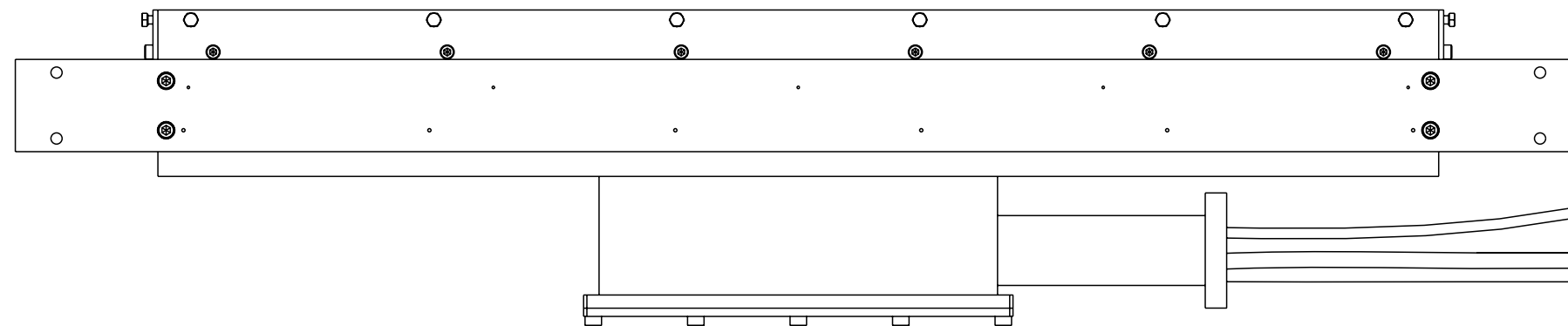
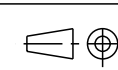


						SURFACE FINISH UNLESS OTHERWISE STATED 3.2/√		GENCOA LTD 4 Wavertree Boulevard South Wavertree Technology Park Liverpool L7 9PF UK Tel: 0151 252 2200 Fax: 0151 252 2233 www.gencoa.com		REFERENCE DRAWING	SCALE	TITLE		ISSUE	
A BT FOR ISSUE		25/04/05									A3 0,250	ION SOURCE		A	
ISSUE BY		MODIFICATION		DATE		GRID REF.				CHECKED BY	DATE	MATERIAL	TOLERANCES EXCEPT WHERE STATED OTHERWISE	DRIVING NO.	SHEET
											25/04/05	VARIOUS	± 0.20 mm ANGLES ± 0° 30'	00653-21-A01	2 of 4

1 2 3 4 5 6 7 8 9 10 11 12

DRAWING NO.
00653-21-A01

FIRST ANGLE



ISSUE	BY	MODIFICATION	DATE	GRID REF.

SURFACE FINISH
UNLESS OTHERWISE STATED ∇ 3.2

COPYRIGHT: This drawing is copyright & the property of Gencoa Ltd. It must not be copied, used for manufacture or otherwise disclosed without prior written consent of the company.
©Gencoa Ltd 1995

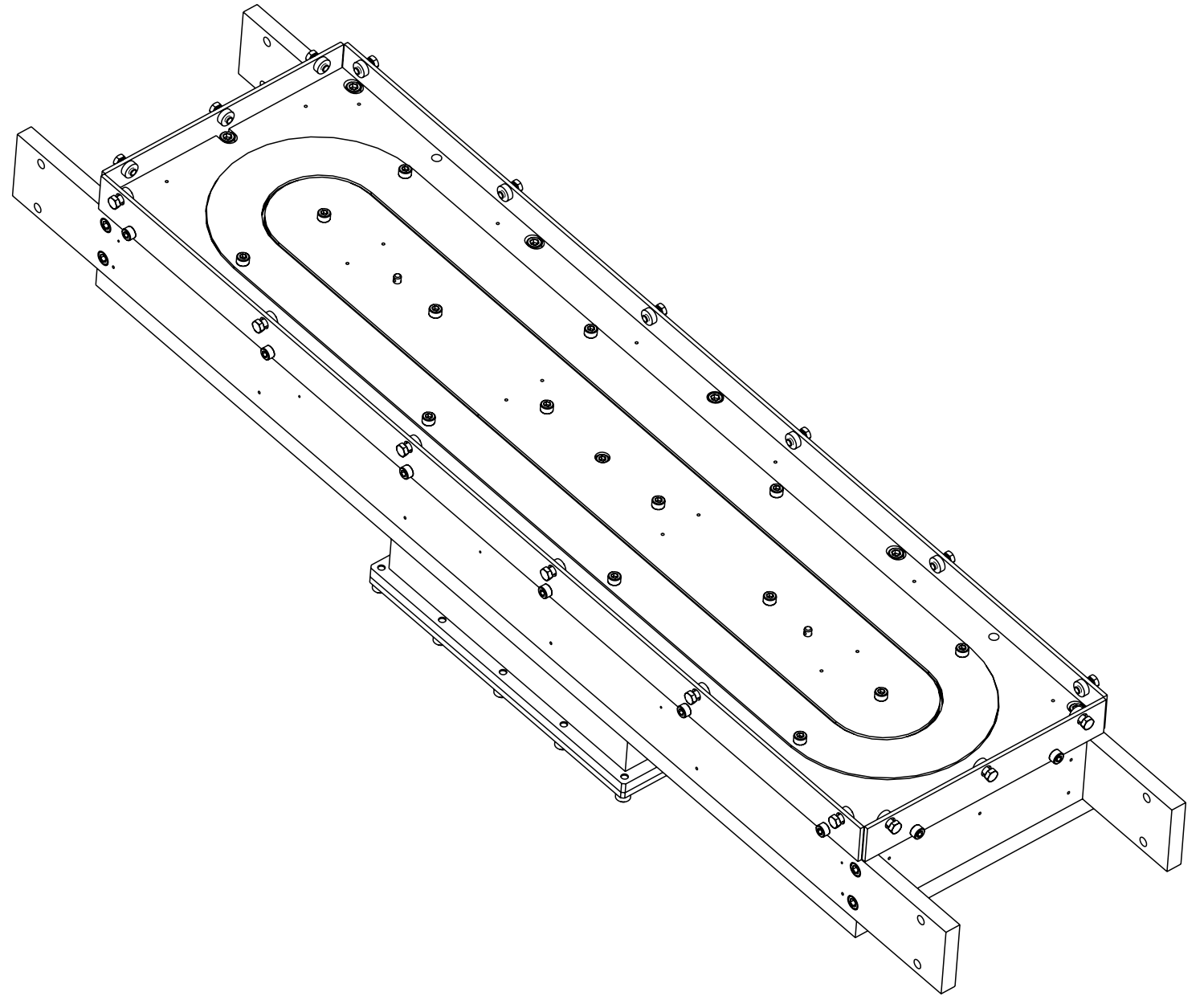
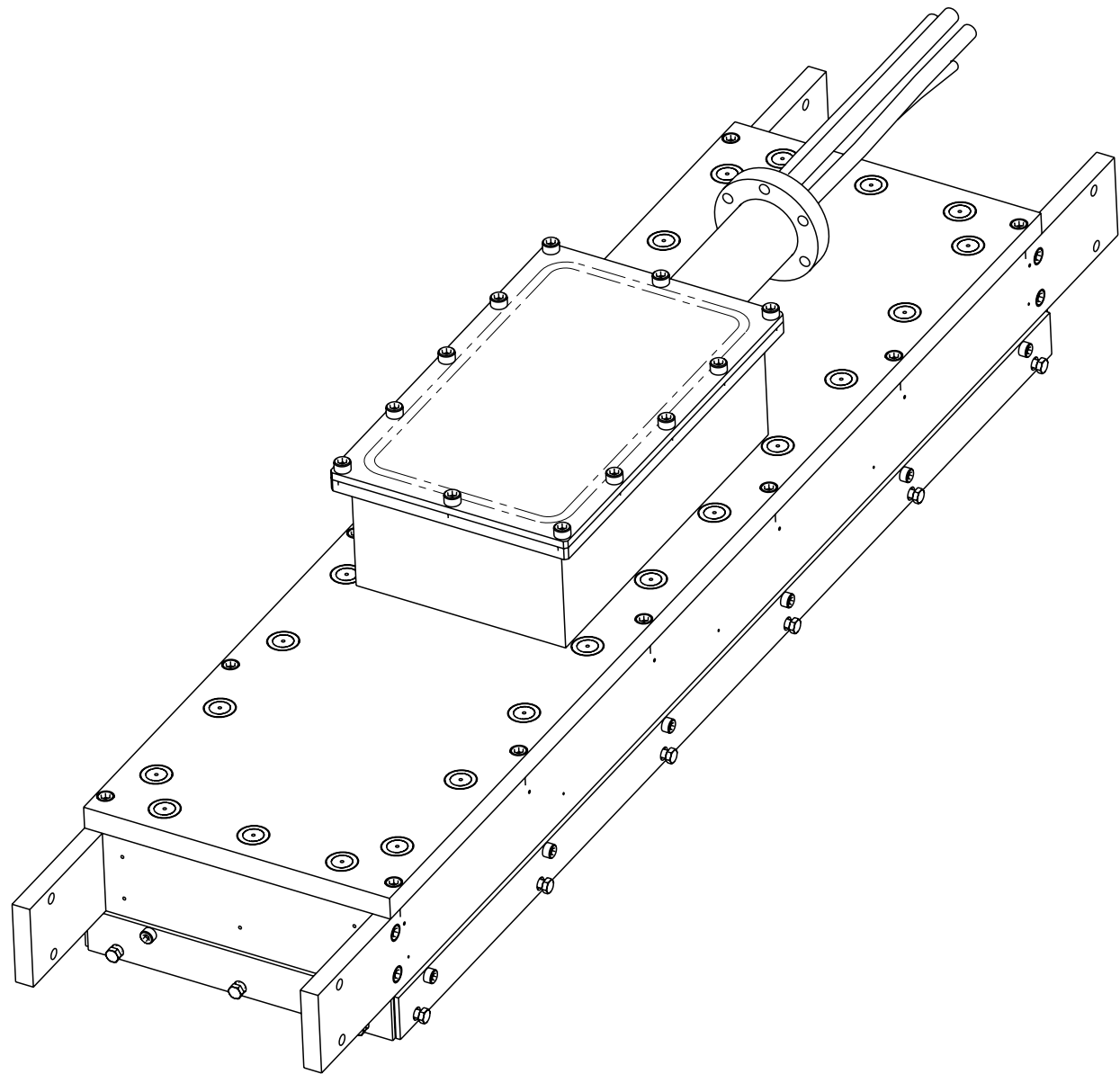
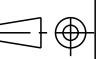
GENCOA LTD
4 Wavertree Boulevard South
Wavertree Technology Park
Liverpool L7 9PF UK
Tel 0151 252 2200
Fax 0151 252 2233
www.gencoa.com

REFERENCE DRAWING	SCALE	A3	0,250
CHECKED BY	DATE	BThornton	25/04/05
	MATERIAL		
	FINISH		

TITLE	ISSUE
ION SOURCE	A
TOLERANCES EXCEPT WHERE STATED OTHERWISE	SHEET
GENERAL \pm 0.20 mm ANGLES \pm 0° 30'	3 of 4
DRAWING NO.	
00653-21-A01	

DRAWING NO.
00653-21-A01

FIRST ANGLE



ISSUE	BY	MODIFICATION	DATE	GRID REF.
C	BT	SHIELDS CHANGED TO 3mm THICKNESS	21/02/05	
B	BT	DRAWING UPDATED	18/02/05	
A	BT	FOR ISSUE	10/02/05	

SURFACE FINISH
UNLESS OTHERWISE STATED ∇ 3.2

COPYRIGHT: This drawing is copyright & the property of Gencoa Ltd. It must not be copied, used for manufacture or otherwise disclosed without prior written consent of the company.
©Gencoa Ltd 1995

GENCOA LTD
4 Wavertree Boulevard South
Wavertree Technology Park
Liverpool L7 9PF UK
Tel 0151 252 2200
Fax 0151 252 2233
www.gencoa.com

REFERENCE DRAWING	SCALE	A3	0,250
	DRAWN	BThornton	
CHECKED BY	DATE	18/02/05	
	MATERIAL		
	FINISH		

TITLE	ION SOURCE		ISSUE	C
TOLERANCES EXCEPT WHERE STATED OTHERWISE	GENERAL	± 0.20 mm	DRAWING NO.	00653-21-A01
	ANGLES	± 0° 30'	Sheet	4 of 4