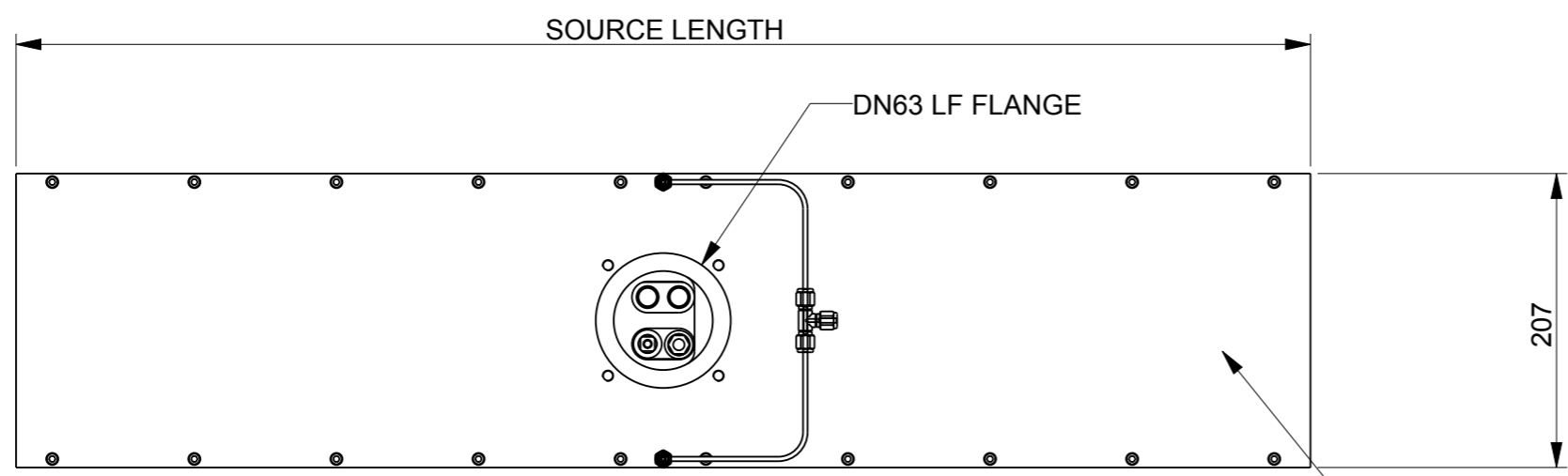
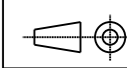
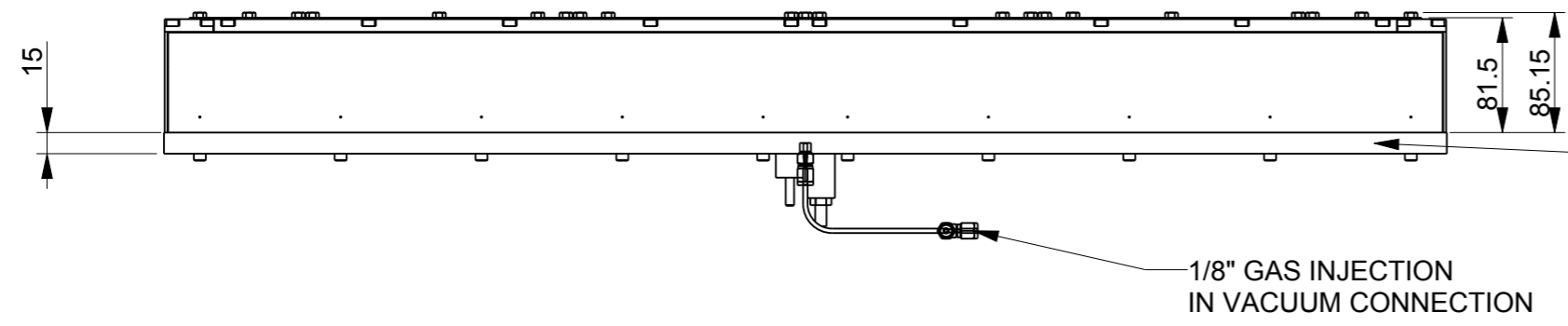


DRAWING NO.
IM000-A01

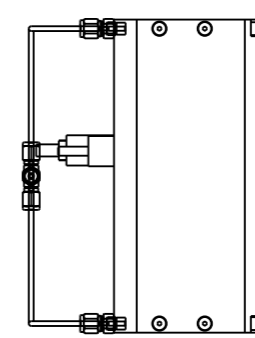
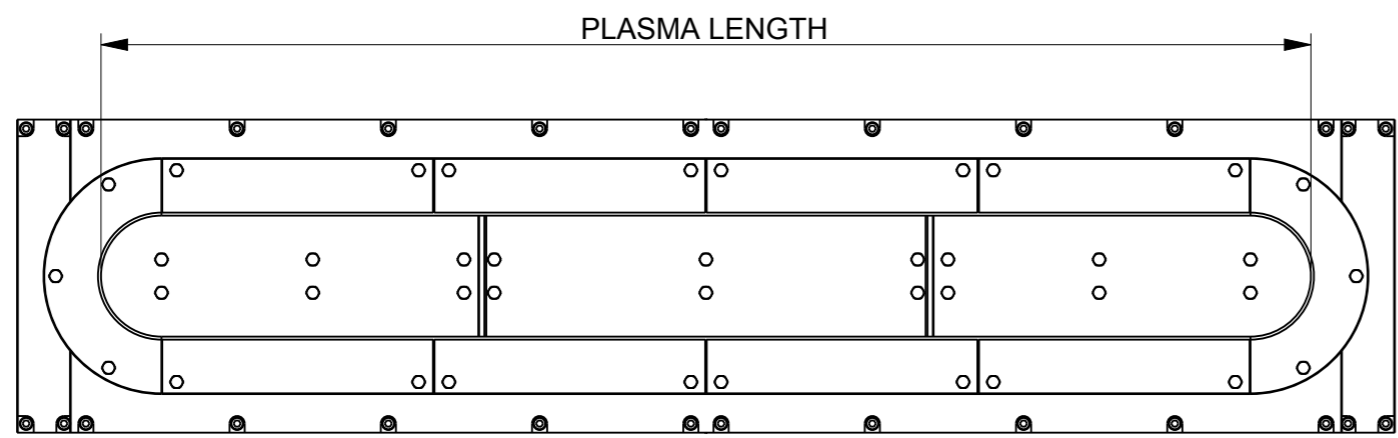
FIRST ANGLE



NAME	PLASMA LENGTH	SOURCE LENGTH
IM250	250	361
IM300	300	411
IM350	350	461
IM400	400	511
IM450	450	561
IM500	500	611
IM550	550	661
...	+50mm	+50mm



FIXING HOLES AS REQUIRED CAN BE ON EITHER SURFACE



ISSUE	BY	MODIFICATION	DATE	GRID REF.
B	RIB	Gas Connection Clarified	11/03/09	

3.2
SURFACE FINISH
UNLESS OTHERWISE STATED

GENCOA LTD
Physics Road, Liverpool L24 9HP UK
Tel 0151 486 4466 Fax 0151 486 4488
www.gencoa.com

COPYRIGHT: This drawing is copyright & the property of Gencoa Ltd. It must not be copied, used for manufacture or otherwise disclosed without prior written consent of the company.
©Gencoa Ltd 1995

REFERENCE DRAWING	SCALE	A3	1:5
DRAWN	RIB		
DATE	16/07/08		
MATERIAL	Various		
FINISH			
SUPPLIER TYPE	CHECKED BY		
None			

TITLE	Internal Ion Source		ISSUE	B
TOLERANCES EXCEPT WHERE STATED OTHERWISE	GENERAL ± 0.20 mm ANGLES ± 0° 30'	DRAWING NO.	IM000-A01	SHEET
				1 of 1