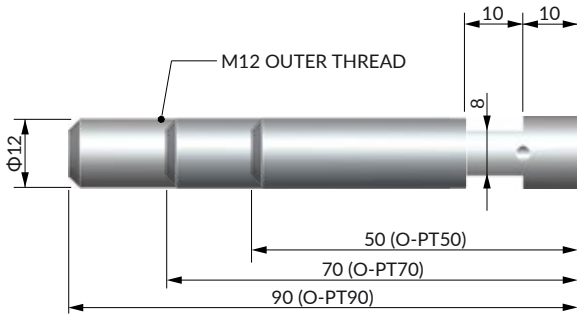
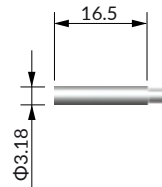


① **Protector tube O-PT90/70/50**

Std: -20°C ~ +200°C (*1)



② **Gas Purge: O-PURGE**

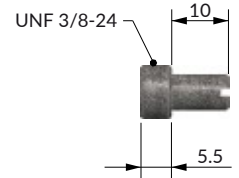


③ **Sapphire window O-SAPPHIRE**



④ **RA PT attachment: O-ADP-MIR-PT**

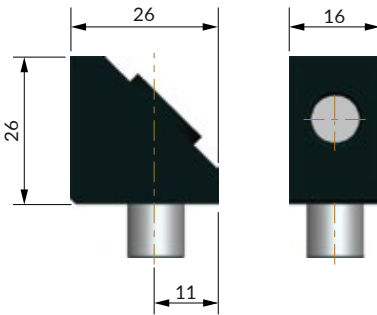
Std: -20°C ~ +200°C(*1)



③b **O-SAPPHIRE_FDT**

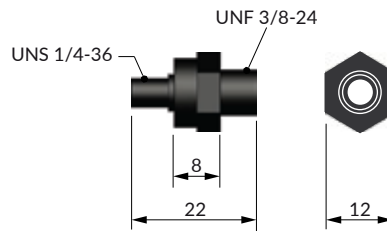
⑤ **Right angle mirror: O-MIR(-HT)**

Std: -20°C ~ +100°C, HT: -20°C ~ +220°C



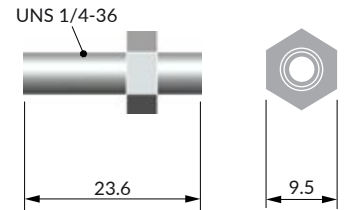
⑥ **Collimating lens: O-COL-HT**

Std: -20°C ~ +100°C, HT: -20°C ~ +200°C



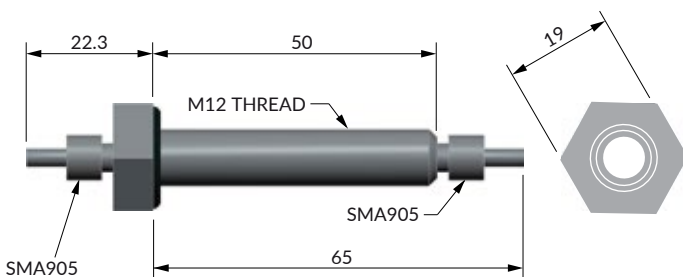
⑦ **SMA interconnect: O-ADP-SMA-SMA**

Std: -20°C ~ +250°C(*1)



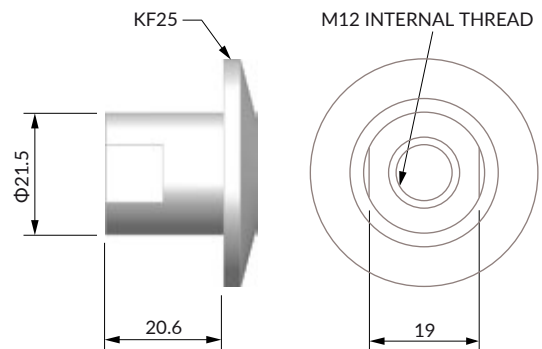
⑧ **Vacuum feedthrough: O-FDT(-HT)**

Std: -20°C ~ +100°C, HT: -20°C ~ +200°C



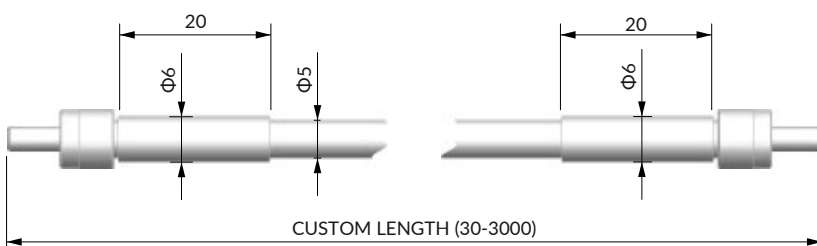
⑨ **Feedthrough mount: O-KF25**

Std: -20°C ~ +200°C(*1)



⑩ **Fibre Optic Cable: O-FSQS-xxxx(-HT)**

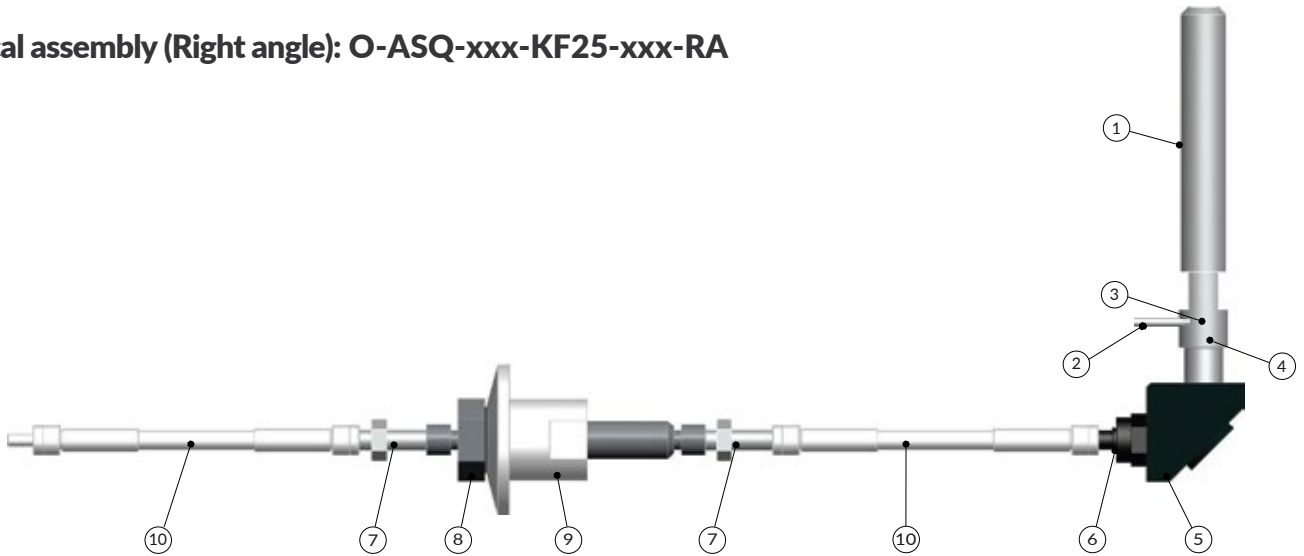
Std: -20°C ~ +100°C, HT: -20°C ~ +250°C



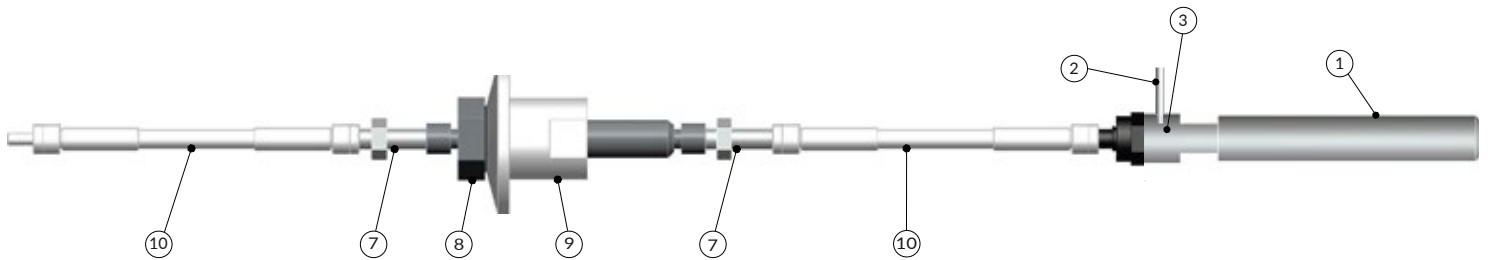
GENCOA SPEEDFLO

Optical assemblies

Optical assembly (Right angle): O-ASQ-xxx-KF25-xxx-RA

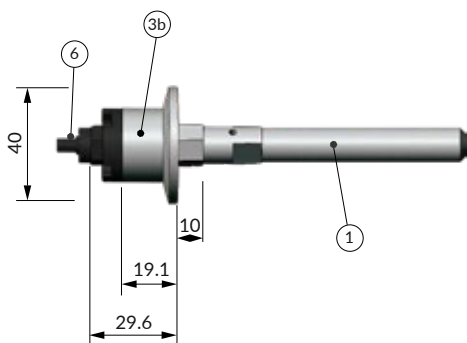


Optical assembly (Straight): O-ASQ-xxx-KF25-xxx



Wallmount assembly

Without gas purge: O-FDT-KF25-COL-NP100



With gas purge: O-FDT-KF25-COL-GP100

