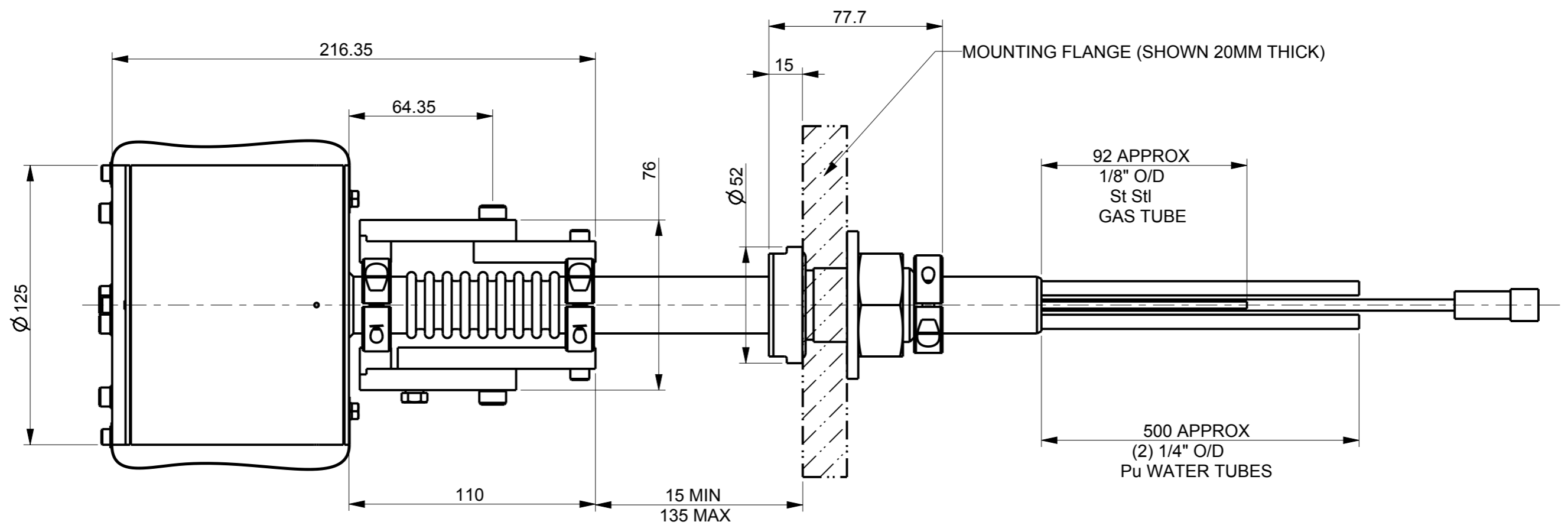
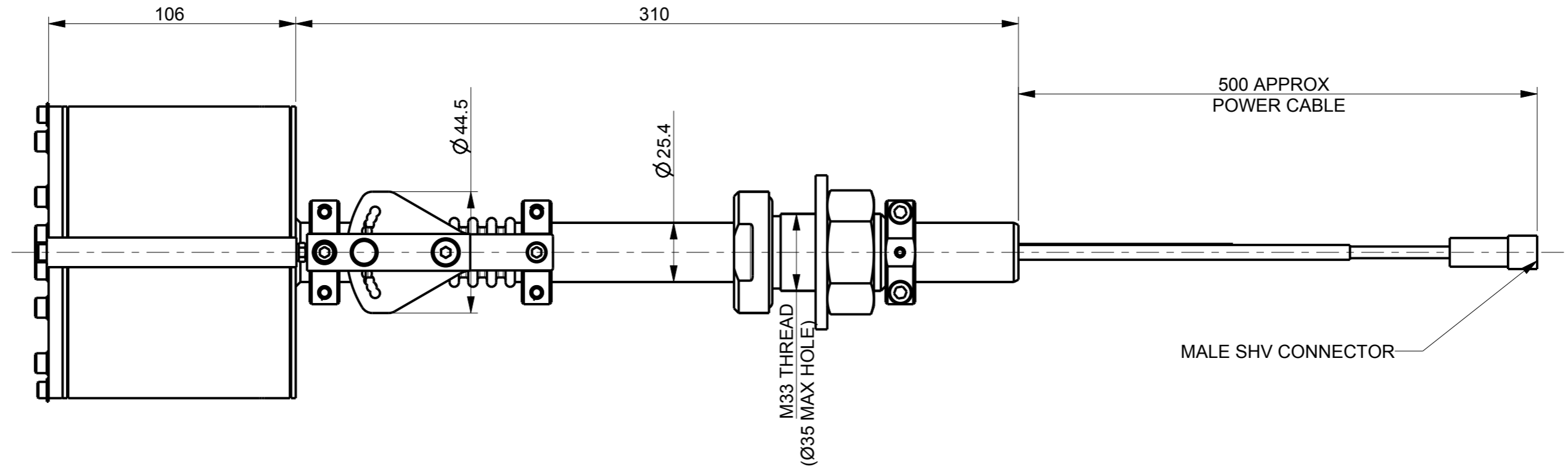
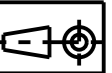


DRAWING NO  
IMC75-A01

FIRST ANGLE



B RIB Diameter of wall mount feedthrough thread added		13/10/15	<p><b>SURFACE FINISH</b> 3.2 UNLESS OTHERWISE STATED</p> <p><b>GENCOA LTD</b> Physics Road, Liverpool L24 9HP UK Tel: 0151 486 4466 Fax: 0151 486 4488 www.gencoa.com</p> <p><b>COPYRIGHT:</b> This drawing is copyright &amp; the property of Gencoa Ltd. It must not be copied, used for manufacture or otherwise disclosed without prior written consent of the company. ©Gencoa Ltd 1995</p>	REFERENCE DRAWING	SCALE	A3	1:2	<p><b>TITLE</b> IMC75-I-TLT Assy</p> <p>TOLERANCES EXCEPT WHERE STATED OTHERWISE</p> <p>GENERAL ± 0.20 mm ANGLES ± 0° 30'</p>	<p><b>ISSUE</b> B</p> <p>Sheet 1 of 1</p>	
A RIB For Production		29/01/13		SUPPLIER TYPE	CHECKED BY	APPROVED BY	DATE			29/01/13
ISSUE BY	MODIFICATION			DATE	GRID REF.	MATERIAL	FINISH			Various