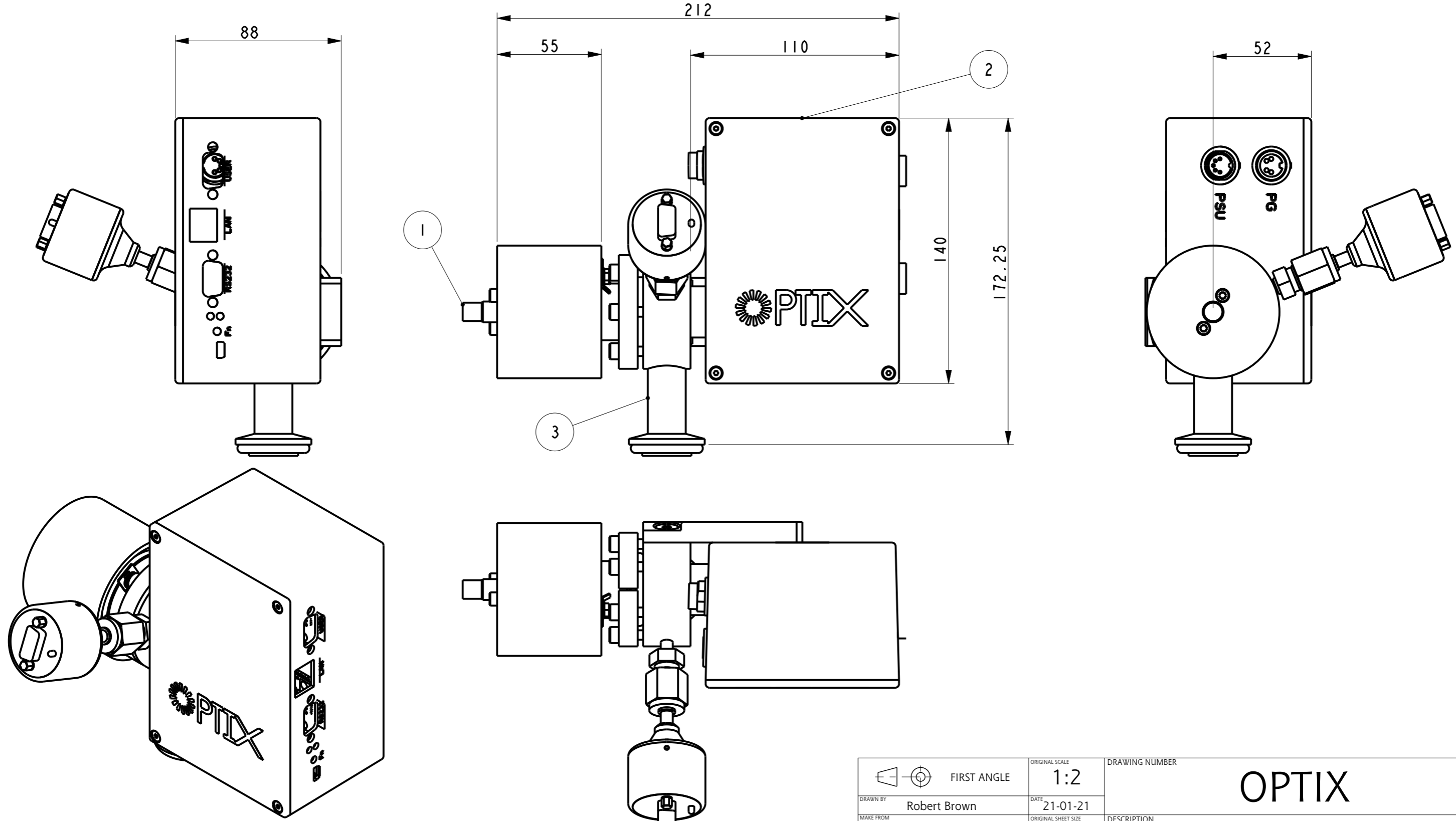


ITEM	DRAWING	DESCRIPTION	TYPE	SUPPLIER	QTY
1	OPX-CC	Plasma Generator	ASSEMBLY	Genco	1
2	OPX-S	OPTIX Sensor Head	ASSEMBLY	Genco	1
3	OPX-T_PG	OPTIX Tee assembly with Pressure	ASSEMBLY	Genco	1



FIRST ANGLE		ORIGINAL SCALE 1:2	DRAWING NUMBER <h1>OPTIX</h1>	
DRAWN BY Robert Brown		DATE 21-01-21	DESCRIPTION <h2>OPTIX Assembly</h2>	
MATERIAL SPECIFICATION Various		ORIGINAL SHEET SIZE A3	INITIAL STATE OF SURFACE MUST BE FREE FROM INDENTATIONS, GOUGES AND SCRATCHES.	
TREATMENT/HARDNESS/FINISH Various		ANGLE TOLERANCES ALL HOLES $\pm 0^\circ 30'$	$\phi \pm 0.2$	ALL DIMENSIONS EXPRESSED IN mm UNLESS OTHERWISE STATED.
SUPPLIER TYPE Genco		UNLESS STATED OTHERWISE.		SHEET 1 OF 1
4 DE HAVILLAND DRIVE, LIVERPOOL L24 8RN UK Tel 0151 486 4466 Fax 0151 486 4488		DO NOT SCALE		COPYRIGHT: THIS DRAWING IS COPYRIGHT & PROPERTY OF GENCOA LTD. IT MUST NOT BE COPIED, USED FOR MANUFACTURE OR OTHERWISE DISCLOSED WITHOUT PRIOR WRITTEN CONSENT OF THE COMPANY. ©Genco Ltd 1995
GENCOA LTD www.genco.com		A		

PERMITTED GENERAL TOLERANCES UNLESS OTHERWISE STATED; FABRICATIONS ± 1		0. \pm 0.2									
		.0 \pm 0.1									
		.00 \pm 0.05									
		.000 \pm 0.005									
A	RBR	FOR ISSUE	~	06-06-19	CHECKED BY	CHECK DATE	DESIGN APPROVED BY	APPROVAL DATE			
ISSUE	AUTHOR	DETAIL OF CHANGE	ECO REF	DATE	THA	06-06-19	THA	06-06-19			