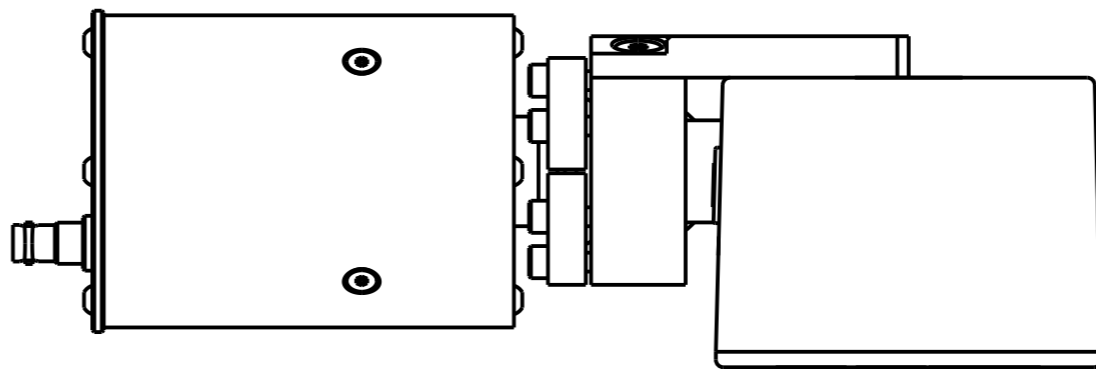
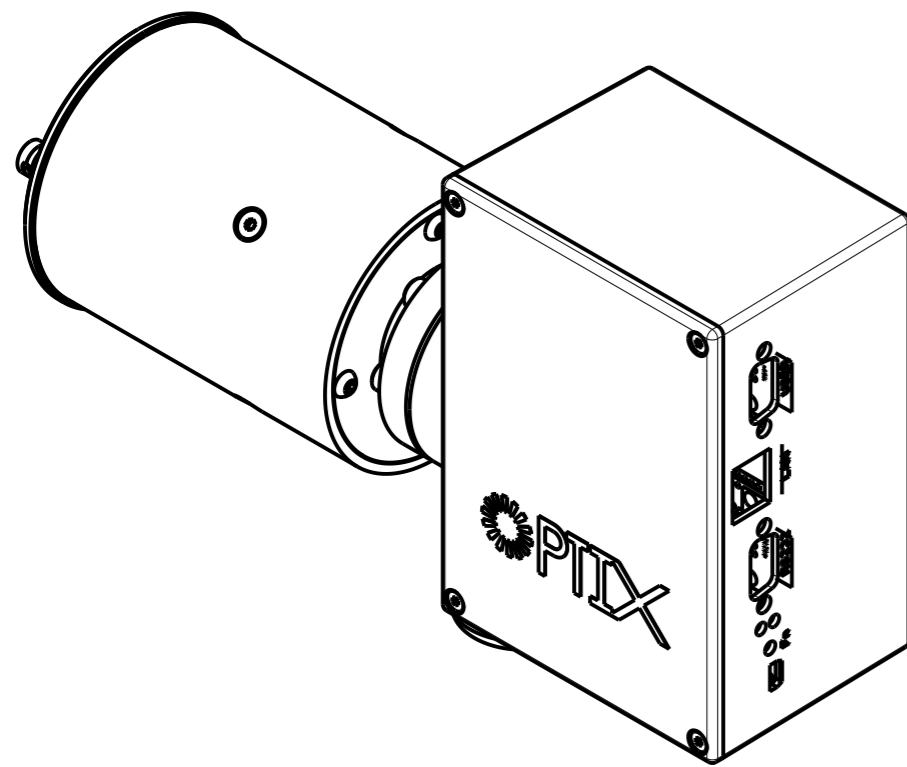
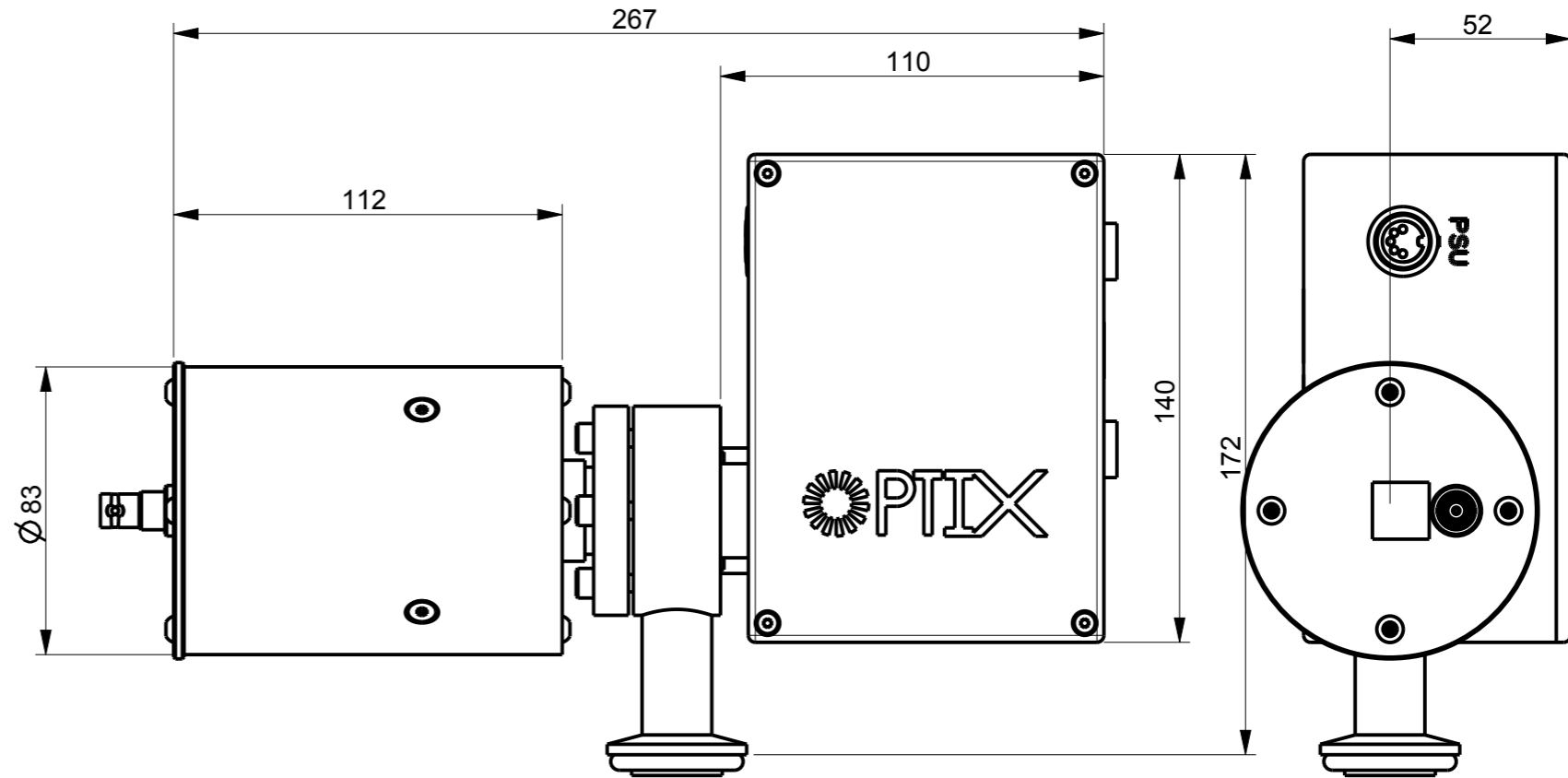
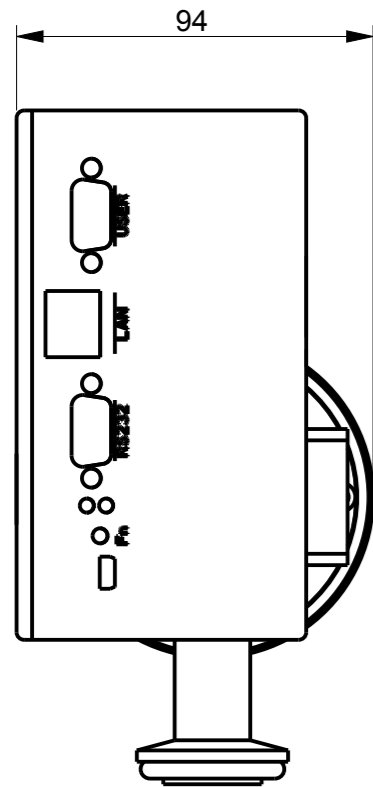


1 2 3 4 5 6 7 8 9 10 11 12

A
B
C
D
E
F
G
H

A
B
C
D
E
F
G
H



FIRST ANGLE		ORIGINAL SCALE 1:2	DRAWING NUMBER OPX-01-A01	
DRAWN BY Robert Brown		DATE 15-03-17	DESCRIPTION Optix Assembly	
MATERIAL SPECIFICATION Various		ORIGINAL SHEET SIZE A3		
TREATMENT/HARDNESS/FINISH		ANGLE TOLERANCES ALL HOLES	$\pm 0^\circ 30'$ $\oplus \ominus \varnothing 0.2$	INITIAL STATE OF SURFACE MUST BE FREE FROM INDENTATIONS, GOUGES AND SCRATCHES.
SUPPLIER TYPE Gencoa		UNLESS STATED OTHERWISE.		ALL DIMENSIONS EXPRESSED IN mm UNLESS OTHERWISE STATED.
4 DE HAVILLAND DRIVE, LIVERPOOL L24 8RN UK Tel 0151 486 4466 Fax 0151 486 4488		DO NOT SCALE		SHEET 1 OF 1
GENCOA LTD www.gencoa.com		COPYRIGHT: THIS DRAWING IS COPYRIGHT & PROPERTY OF GENCOA LTD. IT MUST NOT BE COPIED, USED FOR MANUFACTURE OR OTHERWISE DISCLOSED WITHOUT PRIOR WRITTEN CONSENT OF THE COMPANY. <small>©Gencoa Ltd 1995</small>		B

PERMITTED GENERAL TOLERANCES UNLESS OTHERWISE STATED; FABRICATIONS ±1		0. ± 0.2	
		.0 ± 0.1	
		.00 ± 0.05	
		.000 ± 0.005	
CHECKED BY	CHECK DATE	DESIGN APPROVED BY	APPROVAL DATE
n.a.	n.a.	n.a.	n.a.

ISSUE	AUTHOR	DETAIL OF CHANGE	ECO REF	DATE
1	RBR	FOR ISSUE	~	n.a.
2				

1 2 3 4 5 6 7 8 9 10 11 12