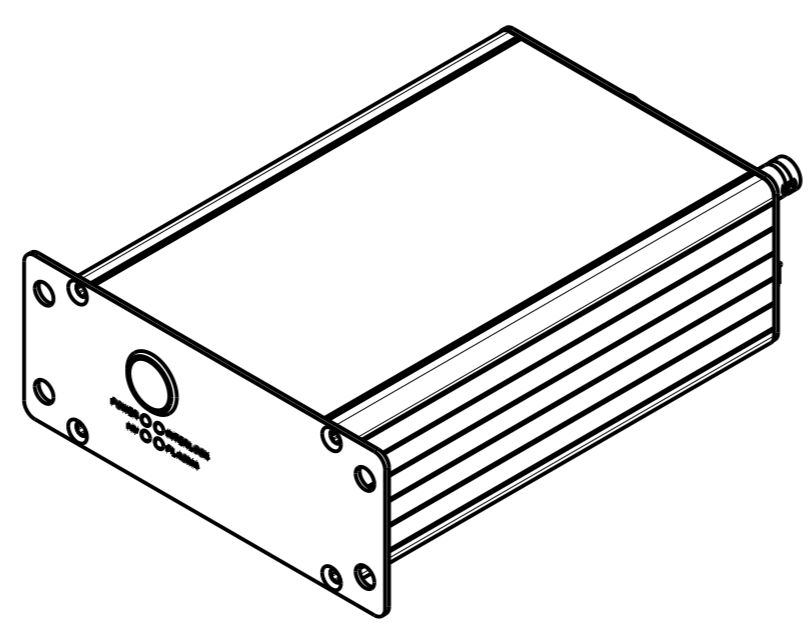
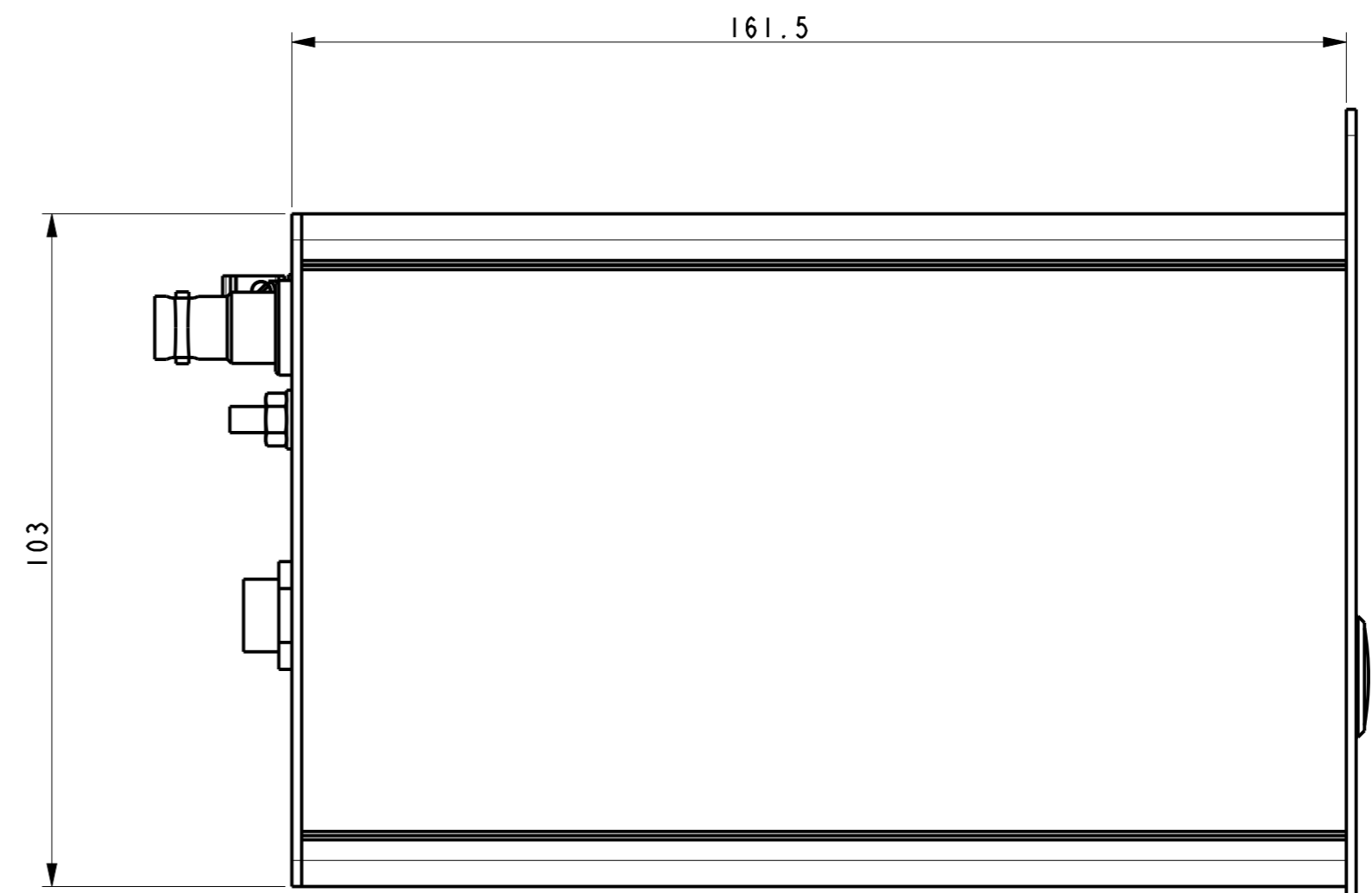
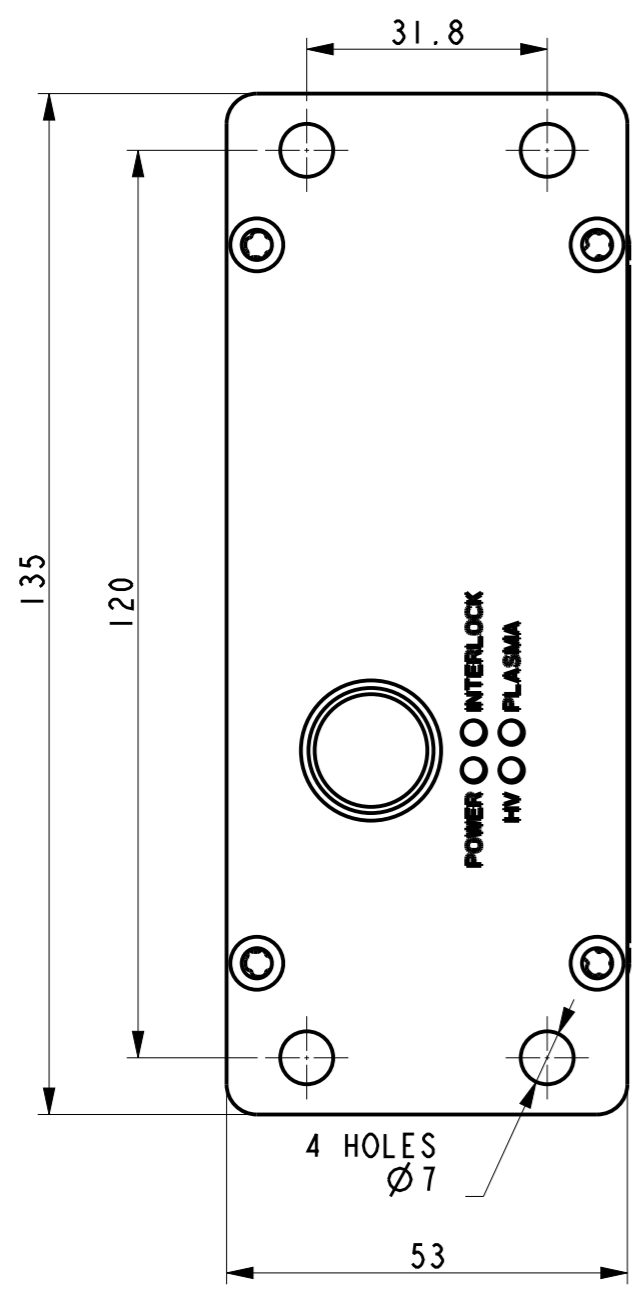


1 2 3 4 5 6 7 8 9 10 11 12

A
B
C
D
E
F
G
H



SCALE 1:2

FIRST ANGLE		ORIGINAL SCALE 1:1	DRAWING NUMBER OPX-02-A01	
DRAWN BY Robert Brown		DATE 16-02-17	DESCRIPTION Power Supply Assy	
MATERIAL SPECIFICATION Various		ORIGINAL SHEET SIZE A3		
TREATMENT/HARDNESS/FINISH		ANGLE TOLERANCES ALL HOLES	$\pm 0^\circ 30'$ $\oplus \ominus \varnothing 0.2$ $\frac{6.4}{3.2}$	INITIAL STATE OF SURFACE MUST BE FREE FROM INDENTATIONS, GOUGES AND SCRATCHES.
SUPPLIER TYPE Gencoa		UNLESS STATED OTHERWISE.		ALL DIMENSIONS EXPRESSED IN mm UNLESS OTHERWISE STATED.
4 DE HAVILLAND DRIVE, LIVERPOOL L24 8RN UK Tel 0151 486 4466 Fax 0151 486 4488		DO NOT SCALE		SHEET 1 OF 1
GENCOA LTD www.gencoa.com		COPYRIGHT: THIS DRAWING IS COPYRIGHT & PROPERTY OF GENCOA LTD. IT MUST NOT BE COPIED, USED FOR MANUFACTURE OR OTHERWISE DISCLOSED WITHOUT PRIOR WRITTEN CONSENT OF THE COMPANY. ©Gencoa Ltd 1995		REVISION

					PERMITTED GENERAL TOLERANCES UNLESS OTHERWISE STATED; FABRICATIONS ± 1	0. \pm 0.2
						.0 \pm 0.1
C	RIB	MOUNTING HOLES DIMENSIONS ADDED		16/10/23		.00 \pm 0.05
B	RIB	POWER CONNECTION CHANGED, DIMS ADDED		19/11/18		.000 \pm 0.005
A	RBR	FOR ISSUE		27-02-17		
ISSUE	AUTHOR	DETAIL OF CHANGE	ECO REF	DATE	CHECKED BY DGI	CHECK DATE 27-02-17
					DESIGN APPROVED BY DGI	APPROVAL DATE 27-02-17

1 2 3 4 5 6 7 8 9 10 11 12